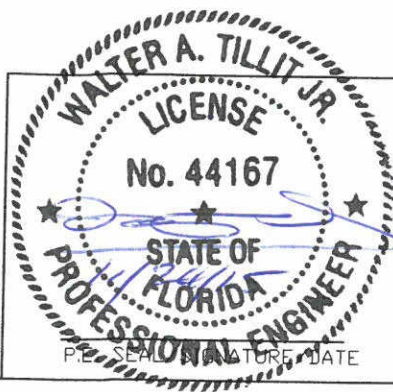


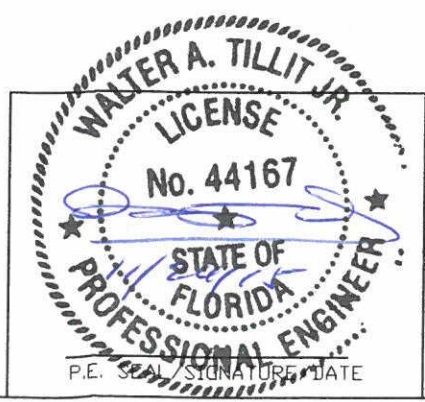
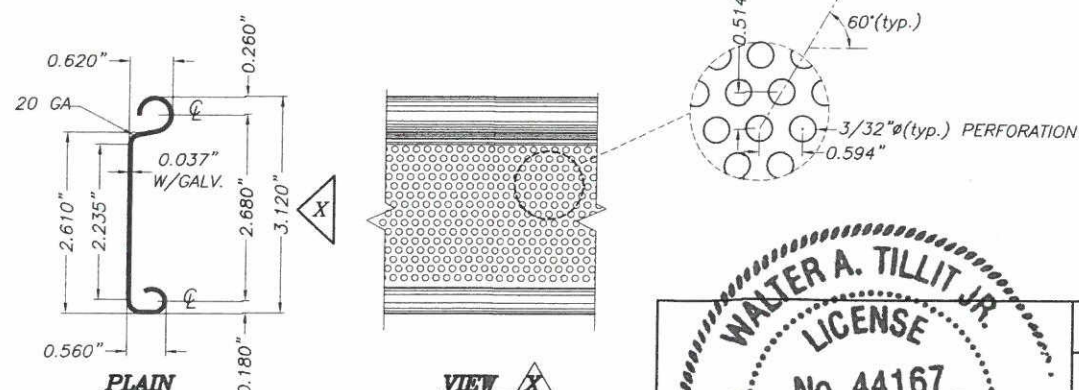
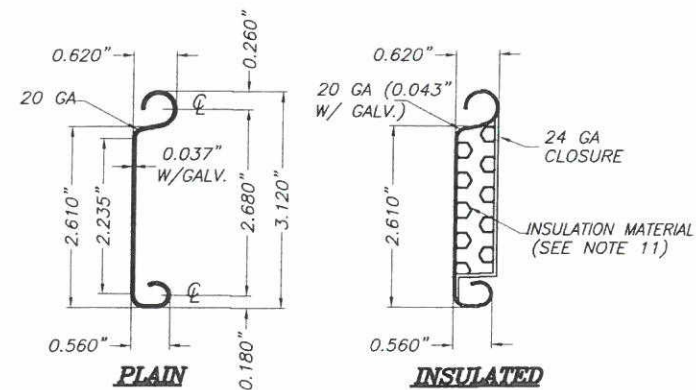
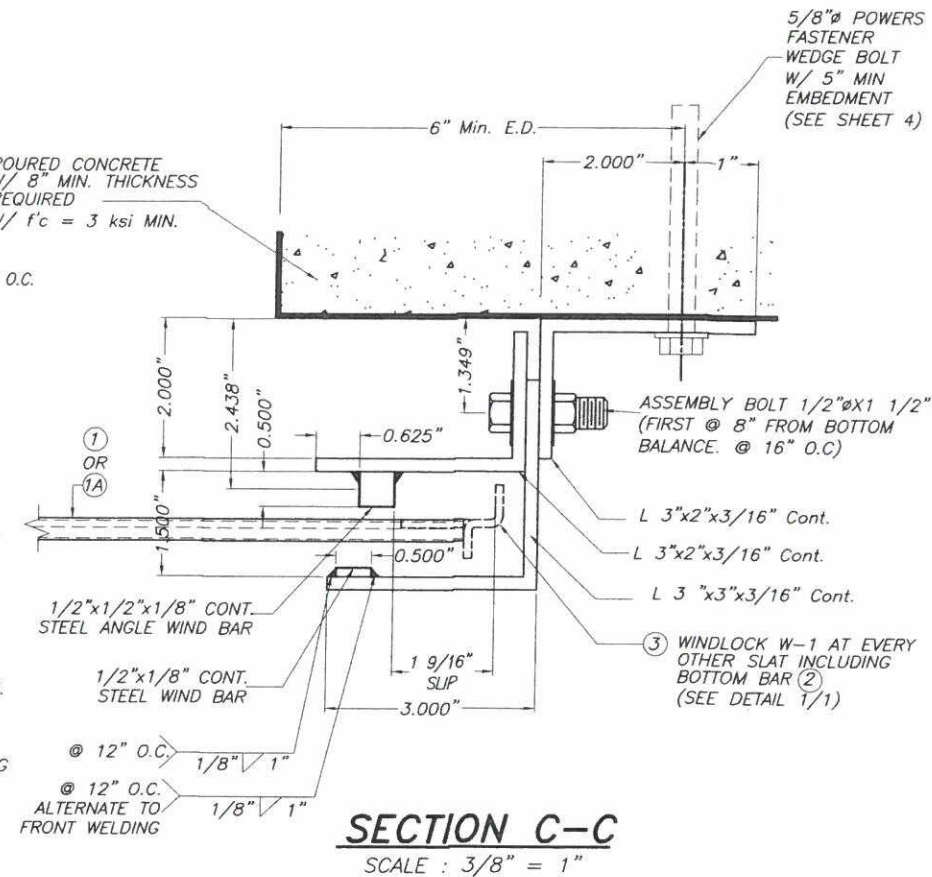
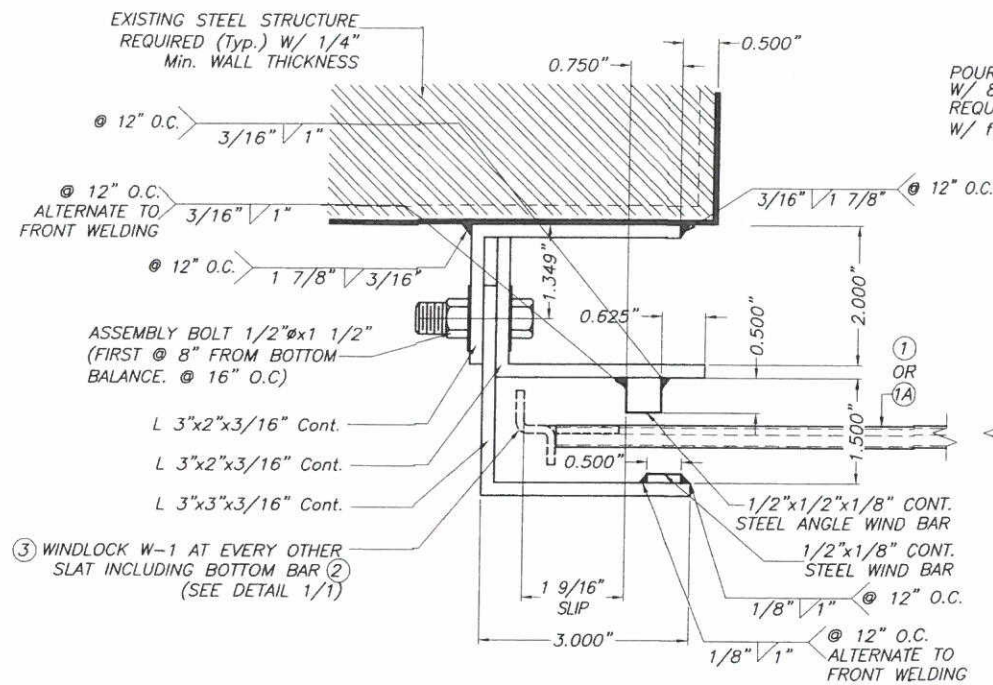
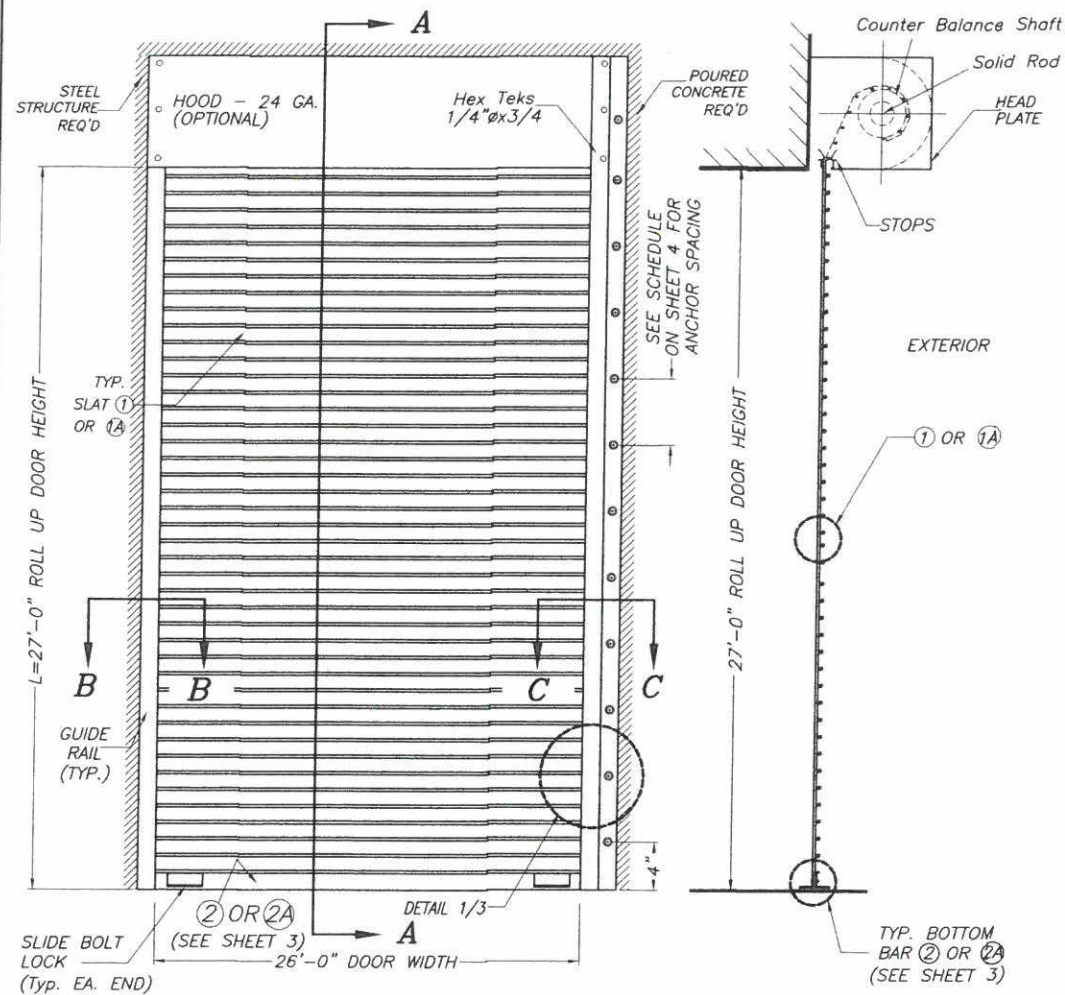
GENERAL NOTES:

- 1- ROLL-UP DOOR SHOWN ON THIS PRODUCT EVALUATION DOCUMENT (P.E.D.) HAS BEEN VERIFIED FOR CODE COMPLIANCE IN ACCORDANCE WITH THE 2014 (5th EDITION) OF THE FLORIDA BUILDING CODE. DESIGN WIND LOADS SHALL BE DETERMINED AS PER SECTIONS 1620 (HVHZ) AND 1609 (NHVHZ) OF THE ABOVE MENTIONED CODE, FOR A WIND SPEED AS REQUIRED BY THE JURISDICTION WHERE THIS PRODUCT WILL BE INSTALLED AND FOR A DIRECTIONALITY FACTOR $K_d=0.85$, USING ASCE 7-10 AND SHALL NOT EXCEED THE MAXIMUM (A.S.D.) DESIGN PRESSURE RATINGS INDICATED ON NOTE 1.
- IN ORDER TO VERIFY THE ABOVE CONDITION, ULTIMATE DESIGN WIND LOADS DETERMINED PER ASCE 7-10 SHALL BE FIRST REDUCED TO A.S.D. DESIGN WIND LOADS BY MULTIPLYING THEM BY 0.6 IN ORDER TO COMPARE THESE W/ MAX. (A.S.D.) DESIGN PRESSURE RATINGS INDICATED ON NOTE 1.
- ROLL-UP DOOR'S ADEQUACY FOR IMPACT AND FATIGUE RESISTANCE HAS BEEN VERIFIED IN ACCORDANCE WITH SECTIONS 1626 (HVHZ) AND 1609.1.2 (NHVHZ) OF THE ABOVE MENTIONED CODE AS PER BLACK WATER TESTING, INC. REPORT # BT-ROD-15-001, PER TAS-201, TAS-202 & TAS-203 PROTOCOLS.
- MAX. A.S.D. DESIGN PRESSURE RATING: +70.0, -70.0 PSF FOR SLAT ①
 MAX. A.S.D. DESIGN PRESSURE RATING: +60.0, -60.0 PSF FOR SLAT ①A
- 2-SLAT TO BE A.S.T.M. A-653 GR 40 STRUCTURAL QUALITY STEEL WITH MIN $F_y = 44.7$ ksi. AND G-90 GALVANIZING PER A.S.T.M. A-653, OR A.I.S.I. 304 SERIES STAINLESS STEEL MANUFACTURED WITH A MINIMUM YIELD STRENGTH OF $F_y = 44.7$ ksi.
- 3- ALL STEEL ANGLES TO BE A.S.T.M. A-36 DESIGNATION, SHOP PRIMED AGAINST CORROSION PRIOR TO INSTALLATION. PAINT TO CONFORM TO FEDERAL SPECIFICATIONS CORRESPONDING TO RED OXIDE PAINT OR EQUAL.
- 4- WINDLOCKS TO BE "MALLEABLE IRON" $F_y = 42$ ksi OR A.I.S.I. DESIGNATION STEEL W/ $F_y = 40$ ksi., CHROME OR NICKEL PLATED.
- 5- ALL ASSEMBLY BOLTS TO BE S.A.E. GRADE 2 CADMIUM PLATED OR GALVANIZED STEEL.
- 6- STEEL WINDBARS TO BE A.S.T.M. A-36 DESIGNATION, SHOP PRIMED PRIOR TO INSTALLATION. PAINT TO CONFORM TO FEDERAL SPECIFICATIONS CORRESPONDING TO RED OXIDE PAINT OR EQUAL.
- 7- HOOD TO BE 24 GA. A.S.T.M. A-653 DESIGNATION G-90 FINISH TYPE COATING.
- 8- ALL RIVETS TO BE A.I.S.I. C1006 SPHERODIZED ANNEALED ALUMINUM LOW CARBON COLD HEADING QUALITY STEEL, ZINC PLATED, W/ 55.0 ksi. MINIMUM TENSILE STRENGTH, AS MANUFACTURED BY UNIVERSAL RIVET, INC.
- 9- CONCRETE ANCHORS TO BE AS MANUFACTURED BY POWERS FASTENERS, INC, AND SHALL BE INSTALLED FOLLOWING ALL OF THE RECOMMENDATIONS AND SPECIFICATIONS OF THE ANCHOR'S MANUFACTURER.
- 10- ALL WELDING TO CONFORM TO AMERICAN WELDING SOCIETY'S AWS D1.1 REGULATIONS. USE A.W.S A5.1 OR A5.5 E60XX ELECTRODES MIN. 3/16" FILLET SIZE.
- 11- INSULATION MATERIAL SHALL BE EPS-EXPANDED POLYSTYRENE INSULATION, MANUFACTURED BY DYPLAST PRODUCTS LLC. W/ MIAMI DADE COUNTY APPROVAL.
- 12- THIS DOOR MAY BE INSTALLED WITH SLATS CONCAVE SIDE FACING OUTSIDE OR INSIDE OF BUILDING.
- 13- IT SHALL BE THE RESPONSIBILITY OF THE CONTRACTOR TO VERIFY THAT THE EXISTING STRUCTURE IS DESIGNED TO SUPPORT V_x AND V_y FORCES AT BOTH JAMBS. SEE SCHEDULE ON SHEET 4, FOR V_x & V_y VALUES.
- 14- ROLL-UP MECHANISM NOT PART OF THIS APPROVAL.
- 15- (A) THIS P.E.D. PREPARED BY THIS ENGINEER IS GENERIC AND DOES NOT PROVIDE INFORMATION FOR A SITE SPECIFIC PROJECT; I.E. WHERE THE SITE CONDITIONS DEVIATE FROM THE P.E.D.
 (B) CONTRACTOR TO BE RESPONSIBLE FOR THE SELECTION, PURCHASE AND INSTALLATION OF THIS PRODUCT BASED ON THIS P.E.D. PROVIDED HE/SHE DOES NOT DEVIATE FROM THE CONDITIONS DETAILED ON THIS DOCUMENT. CONSTRUCTION SAFETY AT SITE IS THE CONTRACTOR'S RESPONSIBILITY.
 (C) THIS P.E.D. WILL BE CONSIDERED INVALID IF MODIFIED.
 (D) SITE SPECIFIC PROJECTS SHALL BE PREPARED BY A FLORIDA REGISTERED ENGINEER OR ARCHITECT WHICH WILL BECOME THE ENGINEER OF RECORD (E.O.R.) FOR THE PROJECT AND WHO WILL BE RESPONSIBLE FOR THE PROPER USE OF THE P.E.D. ENGINEER OF RECORD, ACTING AS A DELEGATED ENGINEER TO THE P.E.D. ENGINEER, SHALL SUBMIT TO THIS LATTER THE SITE SPECIFIC DRAWINGS FOR REVIEW.
 (E) ORIGINAL P.E.D. SHALL BEAR THE DATE AND ORIGINAL SEAL AND SIGNATURE OF THE PROFESSIONAL ENGINEER OF RECORD THAT PREPARED IT.
- 16- DOOR MANUFACTURER'S LABEL SHALL BE LOCATED ON A READILY VISIBLE LOCATION AT DOOR. ONE LABEL SHALL BE PLACED FOR EVERY OPENING. LABELING TO COMPLY WITH SECTION 1710.5.2.1.1 OF THE FLORIDA BUILDING CODE.

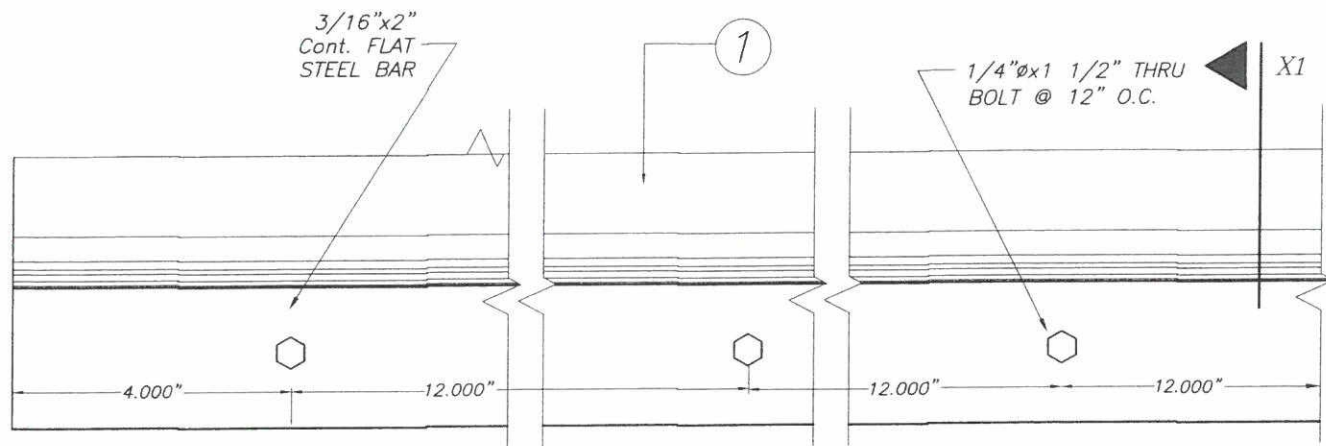
THIS DRAWING SHALL ONLY BE USED TO OBTAIN PERMITS IN THE STATE OF FLORIDA



FLORIDA BUILDING CODE (HIGH & NON HIGH VELOCITY HURRICANE ZONE)					
©2015 TILTECO, INC. TILLIT TESTING & ENGINEERING COMPANY 6355 N.W. 36th St., Ste. 305, VIRGINIA GARDENS, FL 33166 Phone : (305)871-1530 . Fax : (305)871-1531 EB-0006719 WALTER A. TILLIT Jr. P.E. FLORIDA Lic. # 44167			26'-0" WIDE, 20 GAGE SLAT ROLL-UP DOOR XOEZ IMPORT & EXPORT, INC. dba.RollingDoors.com 7214 NW 78th TERRACE MEDLEY, FL 33166 PHONE: (305)885-7590 EMAIL: info@rollingdoors.com		M.L. DRAWN BY: 11/17/15 DATE: 15-067 DRAWING No.
REV. NO	DESCRIPTION	DATE	REV. No	DESCRIPTION	DATE
1	-	-	3	-	-
2	-	-	4	-	-
					SHEET 1 OF 4



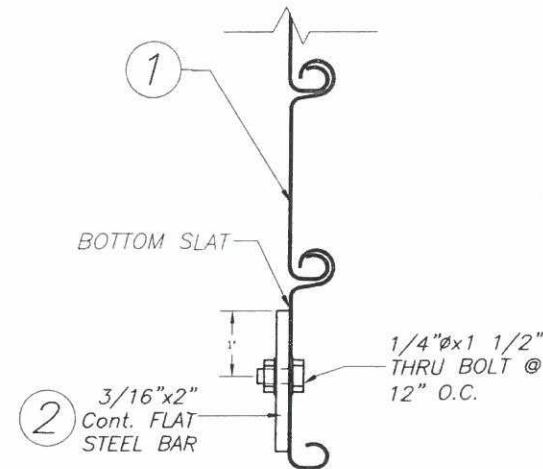
FLORIDA BUILDING CODE (HIGH & NON HIGH VELOCITY HURRICANE ZONE)					
©2015 TILTECO, INC.					
TILTECO INC.			26'-0" WIDE, 20 GAGE SLAT ROLL-UP DOOR		
TILLIT TESTING & ENGINEERING COMPANY 6355 N.W. 36th St., Ste. 305, VIRGINIA GARDENS, FL 33166 Phone: (305)871-1530 Fax: (305)871-1531 EB-0006719 WALTER A. TILLIT Jr. P.E. FLORIDA Lic. # 44167			XOEZ IMPORT & EXPORT, INC. dba.RollingDoors.com 7214 NW 78th TERRACE MEDLEY, FL 33166 PHONE: (305)885-7590 EMAIL: info@rollingdoors.com		
REV. NO		DESCRIPTION		DATE	
1	-	3	-	-	-
2	-	4	-	-	-
M.L. DRAWN BY:					11/17/15
DATE:					15-067
DRAWING No.					SHEET 2 OF 4



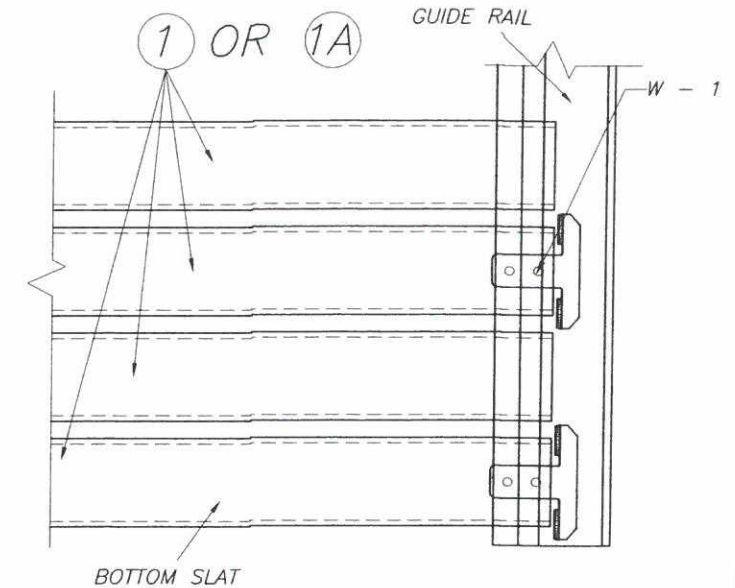
ELEVATION

2 BOTTOM BAR REQ'D. ONLY FOR SLAT 1

SCALE : 3/8" = 1"

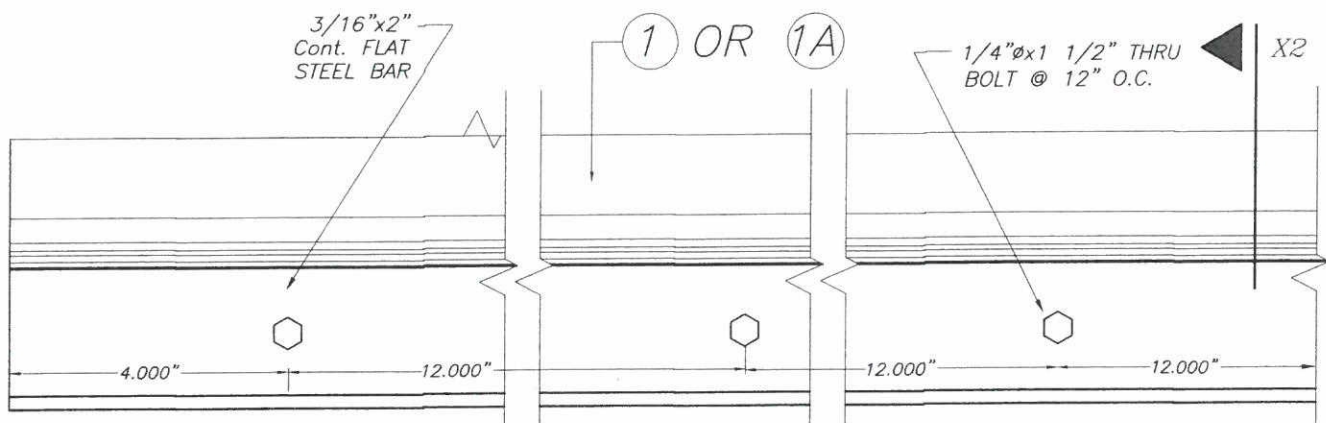


SECTION X1



DETAIL 1 (elevation)

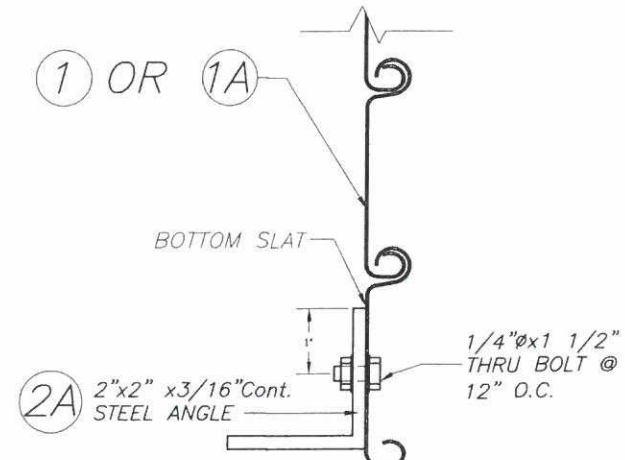
N.T.S.



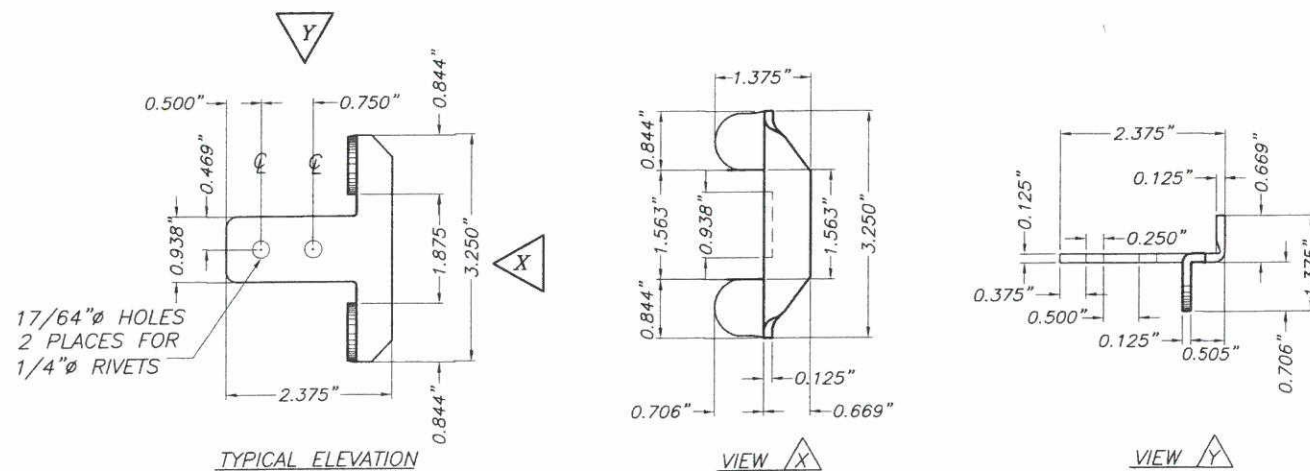
ELEVATION

2A BOTTOM BAR REQ'D. FOR SLATS 1 OR 1A

SCALE : 3/8" = 1"



SECTION X2



3 TYPICAL WINDLOCK W - 1 DETAIL

SCALE : 3/8" = 1"

COMPONENTS

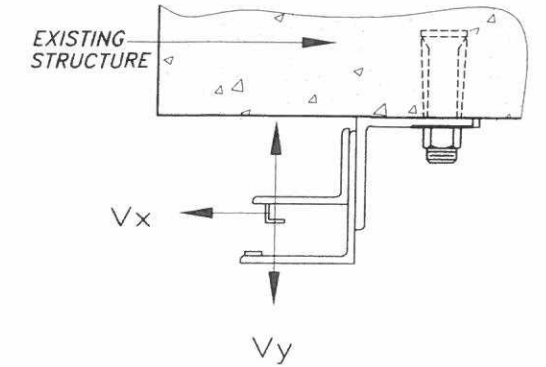
	FLORIDA BUILDING CODE (HIGH & NON HIGH VELOCITY HURRICANE ZONE)		26'-0" WIDE, 20 GAGE SLAT ROLL-UP DOOR		M.L. DRAWN BY:																																			
	©2015 TILTECO, INC. TILLIT TESTING & ENGINEERING COMPANY 6355 N.W. 36th St., Ste. 305, VIRGINIA GARDENS, FL 33166 Phone: (305)871-1530 Fax: (305)871-1531 EB-0006719 WALTER A. TILLIT Jr. P.E. FLORIDA Lic. # 44167		XOEZ IMPORT & EXPORT, INC. dba.RollingDoors.com 7214 NW 78th TERRACE MEDLEY, FL 33166 PHONE: (305)885-7590 EMAIL: info@rollingdoors.com		11/17/15 DATE: 15-067 DRAWING No.																																			
<table border="1"> <thead> <tr> <th>REV. NO</th> <th>DESCRIPTION</th> <th>DATE</th> <th>REV. No</th> <th>DESCRIPTION</th> <th>DATE</th> </tr> </thead> <tbody> <tr> <td>1</td> <td>-</td> <td>-</td> <td>3</td> <td>-</td> <td>-</td> </tr> <tr> <td>2</td> <td>-</td> <td>-</td> <td>4</td> <td>-</td> <td>-</td> </tr> </tbody> </table>		REV. NO	DESCRIPTION	DATE	REV. No	DESCRIPTION	DATE	1	-	-	3	-	-	2	-	-	4	-	-	<table border="1"> <thead> <tr> <th>REV. NO</th> <th>DESCRIPTION</th> <th>DATE</th> <th>REV. No</th> <th>DESCRIPTION</th> <th>DATE</th> </tr> </thead> <tbody> <tr> <td>1</td> <td>-</td> <td>-</td> <td>3</td> <td>-</td> <td>-</td> </tr> <tr> <td>2</td> <td>-</td> <td>-</td> <td>4</td> <td>-</td> <td>-</td> </tr> </tbody> </table>		REV. NO	DESCRIPTION	DATE	REV. No	DESCRIPTION	DATE	1	-	-	3	-	-	2	-	-	4	-	-	SHEET 3 OF 4
REV. NO	DESCRIPTION	DATE	REV. No	DESCRIPTION	DATE																																			
1	-	-	3	-	-																																			
2	-	-	4	-	-																																			
REV. NO	DESCRIPTION	DATE	REV. No	DESCRIPTION	DATE																																			
1	-	-	3	-	-																																			
2	-	-	4	-	-																																			

Vx & Vy REACTIONS & ANCHOR SPACING SCHEDULE
VALID ONLY FOR SLAT ①

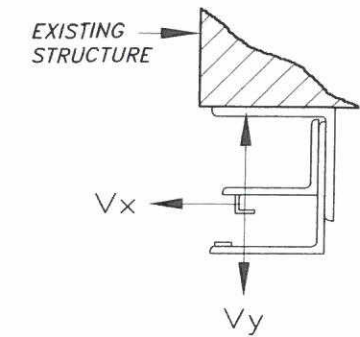
MAXIMUM A.S.D. DESIGN PRESSURE RATING (PSF)	DOOR WIDTH (Ft.)	SLIP (In)	Vx (Lb/Ft)	Vy (Lb/Ft)	MAX. ANCHOR SPACING TO POURED CONCRETE		
					ANCHOR TYPE 1 *		
					f'c = 3 ksi Min.	f'c = 4 ksi Min.	f'c = 6 ksi Min.
+50.0, -50.0	16'-0"	5/8"	1436	400	11"	11"	11"
	18'-0"	1"	1419	450	11"	11"	11"
	20'-0"	1 1/4"	1532	500	11"	11"	11"
	24'-0"	1 1/2"	1885	600	10 1/2"	11"	11"
	26'-0"	1 1/2"	2125	650	9"	10 1/2"	11"
+55.0, -55.0	16'-0"	5/8"	1591	440	11"	11"	11"
	18'-0"	1"	1569	495	11"	11"	11"
	20'-0"	1 1/4"	1689	550	11"	11"	11"
	24'-0"	1 1/2"	2071	660	9 1/2"	10 1/2"	11"
	26'-0"	1 1/2"	2331	715	8 1/2"	9 1/2"	10 1/2"
+60.0, -60.0	16'-0"	5/8"	1743	480	11"	11"	11"
	18'-0"	1"	1718	540	11"	11"	11"
	20'-0"	1 1/4"	1845	600	10 1/2"	11"	11"
	24'-0"	1 1/2"	2256	720	8 1/2"	10"	10 1/2"
	26'-0"	1 1/2"	2536	780	7 1/2"	8 1/2"	9 1/2"
+70.0, -70.0	16'-0"	5/8"	2046	560	10"	11"	11"
	18'-0"	1"	2012	630	10"	11"	11"
	20'-0"	1 1/4"	2155	700	9"	10"	11"
	24'-0"	1 1/2"	2611	840	7 1/2"	8 1/2"	9"
	26'-0"	1 9/16"	2881	910	7 1/2" ▲	7 1/2"	8 1/2"

Vx & Vy REACTIONS & ANCHOR SPACING SCHEDULE
VALID ONLY FOR SLAT ①A

MAXIMUM A.S.D. DESIGN PRESSURE RATING (PSF)	DOOR WIDTH (Ft.)	SLIP (In)	Vx (Lb/Ft)	Vy (Lb/Ft)	MAX. ANCHOR SPACING TO POURED CONCRETE		
					ANCHOR TYPE 1 *		
					f'c = 3 ksi Min.	f'c = 4 ksi Min.	f'c = 6 ksi Min.
+50.0, -50.0	16'-0"	5/8"	1436	400	11"	11"	11"
	18'-0"	1"	1419	450	11"	11"	11"
	20'-0"	1 1/4"	1532	500	11"	11"	11"
	24'-0"	1 1/2"	1885	600	10 1/2"	11"	11"
	26'-0"	1 1/2"	2125	650	9"	10 1/2"	11"
+55.0, -55.0	16'-0"	5/8"	1591	440	11"	11"	11"
	18'-0"	1"	1569	495	11"	11"	11"
	20'-0"	1 1/4"	1689	550	11"	11"	11"
	24'-0"	1 1/2"	2071	660	9 1/2"	10 1/2"	11"
	26'-0"	1 1/2"	2331	715	8 1/2"	9 1/2"	10 1/2"
+60.0, -60.0	16'-0"	5/8"	1743	480	11"	11"	11"
	18'-0"	1"	1718	540	11"	11"	11"
	20'-0"	1 1/4"	1845	600	10 1/2"	11"	11"
	24'-0"	1 1/2"	2256	720	8 1/2"	10"	10 1/2"
	26'-0"	1 1/2"	2536	780	7 1/2"	8 1/2"	9 1/2"



LOAD DIAGRAM

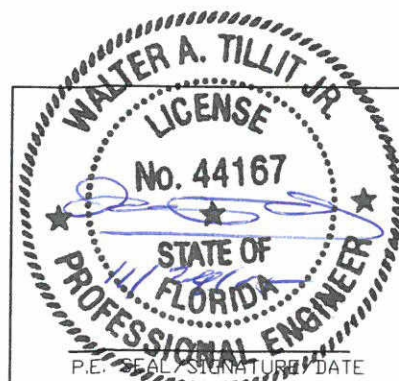


LOAD DIAGRAM

ANCHOR LEGEND

* ANCHOR TYPE 1: - 5/8"Ø POWERS FASTENERS, INC WEDGE BOLT ANCHOR W/ 5" MINIMUM EMBEDMENT, 6" MIN. EDGE DISTANCE & 8" MIN. WALL THICKNESS.

▲ SPACING ONLY VALID FOR 7 1/2" MIN. EDGE DISTANCE



FLORIDA BUILDING CODE (HIGH & NON HIGH VELOCITY HURRICANE ZONE)

©2015 TILTECO, INC.



TILLIT TESTING & ENGINEERING COMPANY
 6355 N.W. 36th St., Ste. 305, VIRGINIA GARDENS, FL 33166
 Phone: (305)871-1530 Fax: (305)871-1531

EB-0006719
 WALTER A. TILLIT Jr. P.E.
 FLORIDA Lic. # 44167

26'-0" WIDE, 20 GAGE SLAT ROLL-UP DOOR

XOEZ IMPORT & EXPORT, INC.

dba.RollingDoors.com
 7214 NW 78th TERRACE
 MEDLEY, FL 33166

PHONE: (305)885-7590 EMAIL: info@rollingdoors.com

REV. NO	DESCRIPTION	DATE	REV. NO	DESCRIPTION	DATE
1	-	-	3	-	-
2	-	-	4	-	-

M.L.
DRAWN BY:

11/17/15
DATE:

15-067

DRAWING No.

SHEET 4 OF 4